

POINT OBSTRUCTION LIGHTS POL LED v7 POINTSPEC® SERIES

Compliances: Verified to L-810 to FAA AC 150/5345-43J at -55 deg C to +55 deg C
 Compliance to ICAO Annex 14 Low Intensity Types A (10 cd) & B (32 cd)
 Listed to UL 1598 at -40 deg C to +55 deg
 UL Tested & Certified to IP66 & IP67 Ingress Protection
 FAA Engineering Briefs 67D & 98; Registered ISO 9001: 2015

- Red & IR LED onboard failure monitoring.
- Alarm monitoring available.
- The hardware is 316 (A4) stainless steel.
- The LED's are rated for 100,000 hours.
- Solar powered available.
- NVG compatibility is standard.
- The casting & lens are specially engineered forms of polycarbonate materials.
- Suitable for outdoor use with respect to exposure to ultraviolet light, water exposure & immersion in accordance with UL 746C (f1).
- Six (6) years limited warranty subject to Point Lighting "Terms & Conditions of Sale".

Point Type	— Power	Standard	— Color	— Mounting	— Style
POL-21007	1: 96-305v AC 5: 10.8v DC to 52.8v DC	F: FAA B: ICAO A/B	R: Red	34B: ¾-inch, Bottom 34L: ¾-inch, Unilet 10B: 1-inch, Bottom M20B: Metric M20 M25B: Metric M25	S: Single S3: Single & junction box S2: Single w/alarm line S2.3: Single w/alarm line & junction box S1: Single, flashing (no sync) D: Double w/both heads ON D2: Double w/transfer to standby & alarm D2.2: Double w/both heads ON & alarm D3: Double w/transfer, alarm & pilot light



Power Consumption per Head:

Standard "B": ICAO			
Voltage	Amps	VA	Watts
120	0.05	5.96	3.49
220	0.03	6.69	3.44
277	0.03	7.04	3.47
12	0.10		1.28
24	0.05		1.27
48	0.02		1.29



POL-21007-1x-R-34B-S
SINGLE OBSTRUCTION LIGHT

- Option -P: FAA Photoelectric Control
Adds a prewired FAA PEC to -S2.3 or double
- Option -BKTS: Universal bracket kit w/SS straps
- Option -SF: Slipfitter 2.375-in stainless steel
- Option -UPS: Battery backup; see page 4
- Option -SOL: Solar Powered; see page 2 & 3
- Option -PM: Solar array post mount max 3.0-in OD
- Option -SWD: Sweden (use -xB array)

Standard "F": FAA			
Voltage	Amps	VA	Watts
120	0.05	6.00	3.70
220	0.03	6.90	3.60
277	0.03	9.10	4.00
12	0.27		3.20
24	0.14		3.20
48	0.07		3.50

POL-21007-1x-R-34B-S3
SINGLE OBSTRUCTION LIGHT
WITH JUNCTION BOX



POL-21007-1x-R-34B-D
DOUBLE OBSTRUCTION LIGHT



SOLAR POWERED POL-21007 OBSTRUCTION LIGHTS

Choose one of the catalog numbers below to receive the mounting arrangement displayed in the graphic.

The POL-21007 is the proper selection for FAA L-810 certification as verified by Intertek Testing Service.

The light will operate at night automatically year round anywhere the solar irradiance is greater than 2.0 kWh/m²/day.

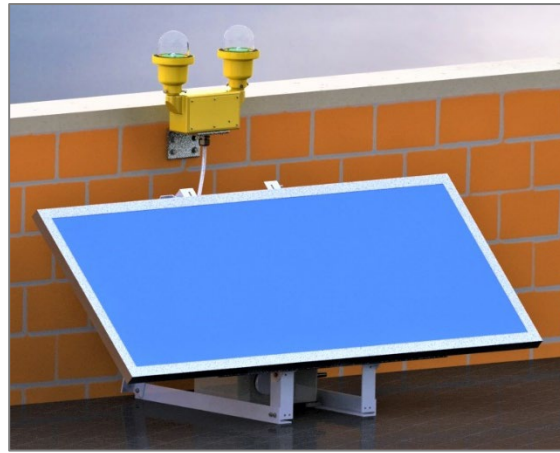
Important - All POL-SOL systems by definition include:

- POL-21007 fixture
- Option -BKTS wall-post bracket** for the POL
- Option -CF cable fitting
- 3-meters SOW cable loop to the solar controller
- Solar array & solar controller with battery
- Floor-roof brackets* for the solar array

* Addition of option -PM changes to post brackets for the array & includes the BKTS setup.
** See page 5 for the POL bracket details.



POL-21007-5x-R-34L-S-SOL-PM



POL-21007-5x-R-34B-D2-SOL
POL-21007-5x-R-34B-D-SOL



POL-21007-5x-R-34B-S3-SOL

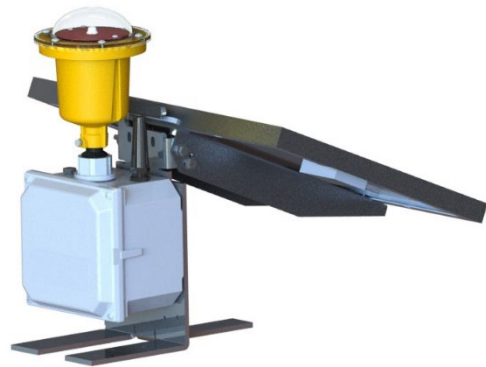


POL-21007-5x-R-34B-S3-SOL-PM

POINT LIGHTING

POINT OBSTRUCTION LIGHTS POL LED v7 POINTSPEC® SERIES

POL-21007-5x-R-SOL
All-In-One Portable or Fixed
Solar Powered Obstruction Light
Ships complete as shown
Replace "x" with standard code

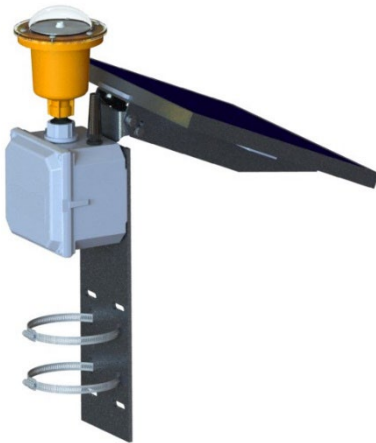


* Site solar insolation minimum:

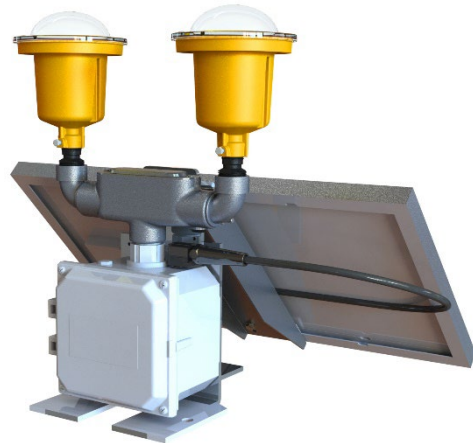
- SOL 2.0 kWh/m2/day
- SOLX 1.3 kWh/m2/day

- Autonomy is 4.4 days* battery capacity without sun
- For any location in the world with solar insolation 2.0 *
- May be screwed down to a flat surface or clamped
- No switching required.
Operates automatically all night & turns off in the morning

POL-21007-5x-R-SOL-PM
SINGLE OBSTRUCTION LIGHT
SOLAR POWERED
WITH OPTION -PM POST MOUNT



POL-21007-5x-R-D-SOL
SOLAR POWERED DOUBLE OBSTRUCTION LIGHT



Minimum solar insolation requirements provided are based on a temperature of 32-deg F (0-deg C). Locations with temperatures below freezing will have a reduced battery capacity and will require higher solar insolation values. Extremely low temperature sites may not be compatible with solar power. Consult the factory for assistance.



UNINTERRUPTIBLE POWER SUPPLY OPTION -UPS PL11609-1 UPS UNIT

POINT LIGHTING CORPORATION IS AN INTERTEK ETL CERTIFIED BUILDER OF INDUSTRIAL CONTROL PANELS UNDER UL 508A 2ND AND CSA C22.2 No. 286. PLC PANELS ARE LABELED WITH THE ETL LISTED MARK.

Note: Add option -UPS for a one POL or purchase PL11609-1 to power multiple POL obstruction lights and/or PFB-37003 flashing red beacons. It may also be used for a standalone PFB-37004 white or dual red-white beacon.

Required: For one POL, add option -P. For multiple lights, add one PPC-40700-1-34T on the output (load side) of PL11609-1 UPS unit.

See chart below for estimated run-times.

Note: Intended for emergency use only; do not use for regularly scheduled shutdowns of power such as nights and weekends.

For use with a POC system controller, the POC must be 120V and the PL11609-1 must be installed on the power feed to the POC (i.e. upstream of the POC & PPC).

Features & Functions:

- Automatic operation upon loss of power & upon restoration of power.
- Automatic battery charging.
- AC power Input: 96-264V AC
- Temperature range: -20-deg C (-4-deg F) to +55-deg C (131-deg F)
- The UPS sends 120V AC to the load. Use universal AC or 120V lights.
- Battery low voltage disconnect to protect the battery.
- The output to the load has a true pure sine wave.
- NEMA 4X (IP66) fiberglass enclosure.
- Includes 2 x ¾-inch NPT hubs and 1 x ¾-inch cable gland.



CHART 1: RUN-TIME IN NUMBER OF NIGHTS (12 HOURS)										
	0 POL	1 POL	2 POL	3 POL	4 POL	5 POL	6 POL	7 POL	8 POL	9 POL
0 PFB	x	9.4	5.4	3.8	2.9	2.3	1.9	1.6	1.4	1.2
1 PFB	5.8	3.9	2.9	2.3	1.9	1.6	1.4	1.3	1.1	1.0
2 PFB	3.0	2.4	1.9	1.6	1.4	1.2	1.1	1.0	0.9	0.8
3 PFB	2.0	1.7	1.4	1.3	1.1	1.0	0.9	0.8	0.8	0.7
4 PFB	1.5	1.3	1.2	1.0	0.9	0.9	0.8	0.7	0.7	0.6

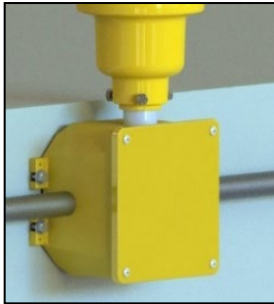
Notes on run-times and battery capacity:

- FAA photocontrol is required as either -P for one light or use PPC-40700-1-34T.
- Based on POL-21007-1F series. For POL-21005-1B, count each POL as a PFB-37003.
- Run-times are based on a 77-deg F (25-deg C) ambient temperature.
- Battery capacity will be between 65-85% at 0-deg C (32-deg F)
- Battery capacity will be between 25-45% at -20-deg C (-4-deg F)
- "POL" means POL-21007-1F-R number of operating heads.
- "PFB" means PFB-37003-R-1 flashing red beacon.

POINT LIGHTING

POINT OBSTRUCTION LIGHTS POL LED v7 POINTSPEC® SERIES

POL-21007-1x-R-34F-S2.3
SINGLE OBSTRUCTION LIGHT
WITH SIDE-WALL MOUNT JUNCTION BOX



POL-21007-1x-R-34B-D-P
DOUBLE OBSTRUCTION LIGHT
WITH PREWIRED FAA
PHOTOELECTRIC CONTROL



POL-21007-1x-R-34B-S3-P
SINGLE OBSTRUCTION LIGHT
WITH JUNCTION BOX & PREWIRED
FAA PHOTOELECTRIC CONTROL



POL-21007-1x-R-34B-S-SF
SINGLE OBSTRUCTION LIGHT
WITH 60MM SLIPFITTER
FITS 2-3/8-INCH TENON

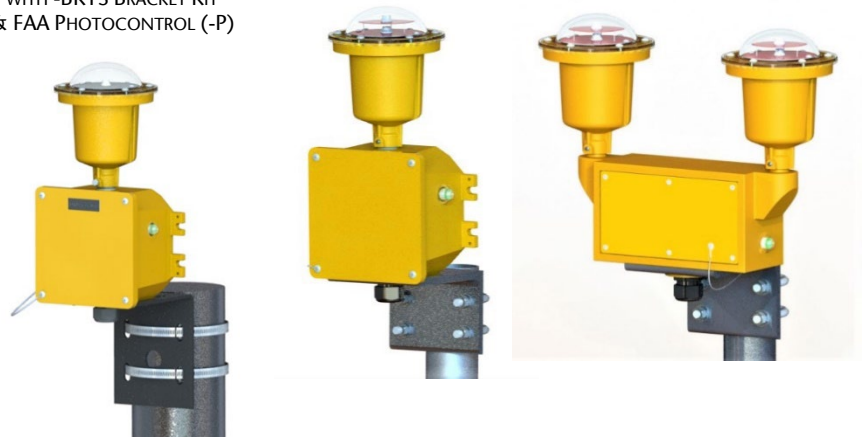


POL-21007 SINGLE & DOUBLE WITH OPTIONS BKTS & -BKTU

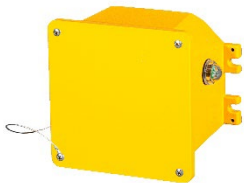
MAY BE WALL-MOUNTED OR POST-MOUNTED.
FOR BKTU, THE POST MAY BE CONDUIT OR PIPE TO A MAXIMUM OUTSIDE
DIAMETER OF 3-INCHES (76MM).

BKTS USES STAINLESS STEEL STRAPS FOR 2 TO 5-INCHES POST.
BKTS IS INCLUDED IN ALL SOLAR POWER VERSIONS (-SOL)

POL-21007 SINGLE
WITH -JUNCTION BOX (-S3)
WITH -BKTS BRACKET KIT
& FAA PHOTOCNTROL (-P)



FAA PHOTOELECTRIC CONTROLLER
FOR A CIRCUIT OF POL'S
PPC-40700-1-34T SEE FILE OL410



WEIGHT & DIMENSIONS

	Weight		Height	Width		Depth
	lb	kg	inches	mm	mm	mm
POINTSPEc Single:	1.0	0.45	6.6 (169)	5.5 (140)	5.5 (140)	5.5 (140)
POINTSPEc Double:	6.2	2.8	12.2 (309)	15.8 (401)	5.5 (140)	5.5 (140)
Wind Loading:	Effective Projected Area (EPA) for POINTSPEC Lights					
	Double: 0.63 sq ft		Single (no box): 0.15 sq ft		Single (with box): 0.42 sq ft	



Intertek



POINT LIGHTING CORPORATION

Mail: P.O. Box 686, Simsbury, CT 06070
Tel 01 860.243.0600
email: Info@PointLighting.com

USA

Plant: 61-65 W. Dudley Town Rd, Bloomfield, CT
Fax 01 860.243.0665
website: www.PointLighting.com