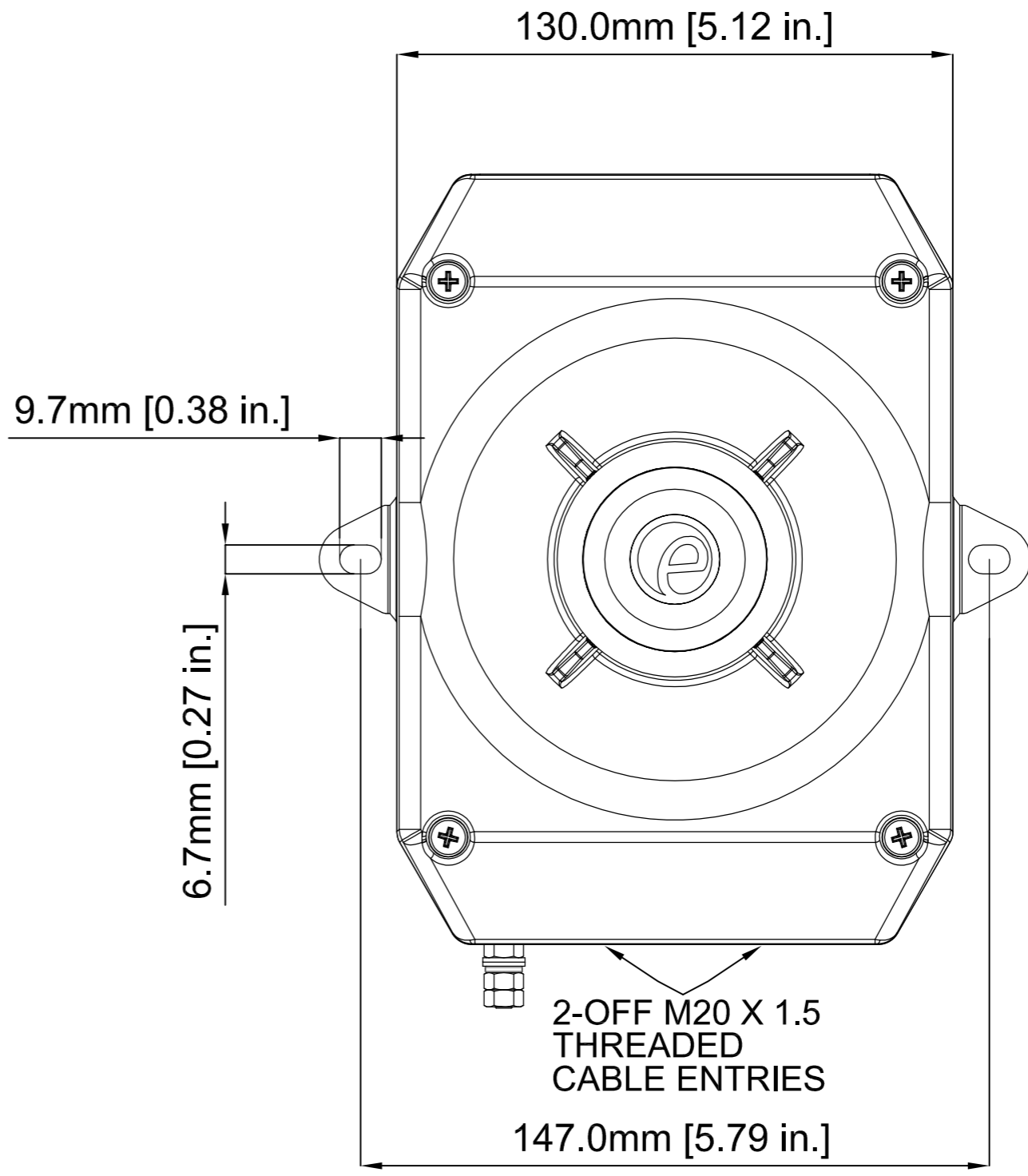
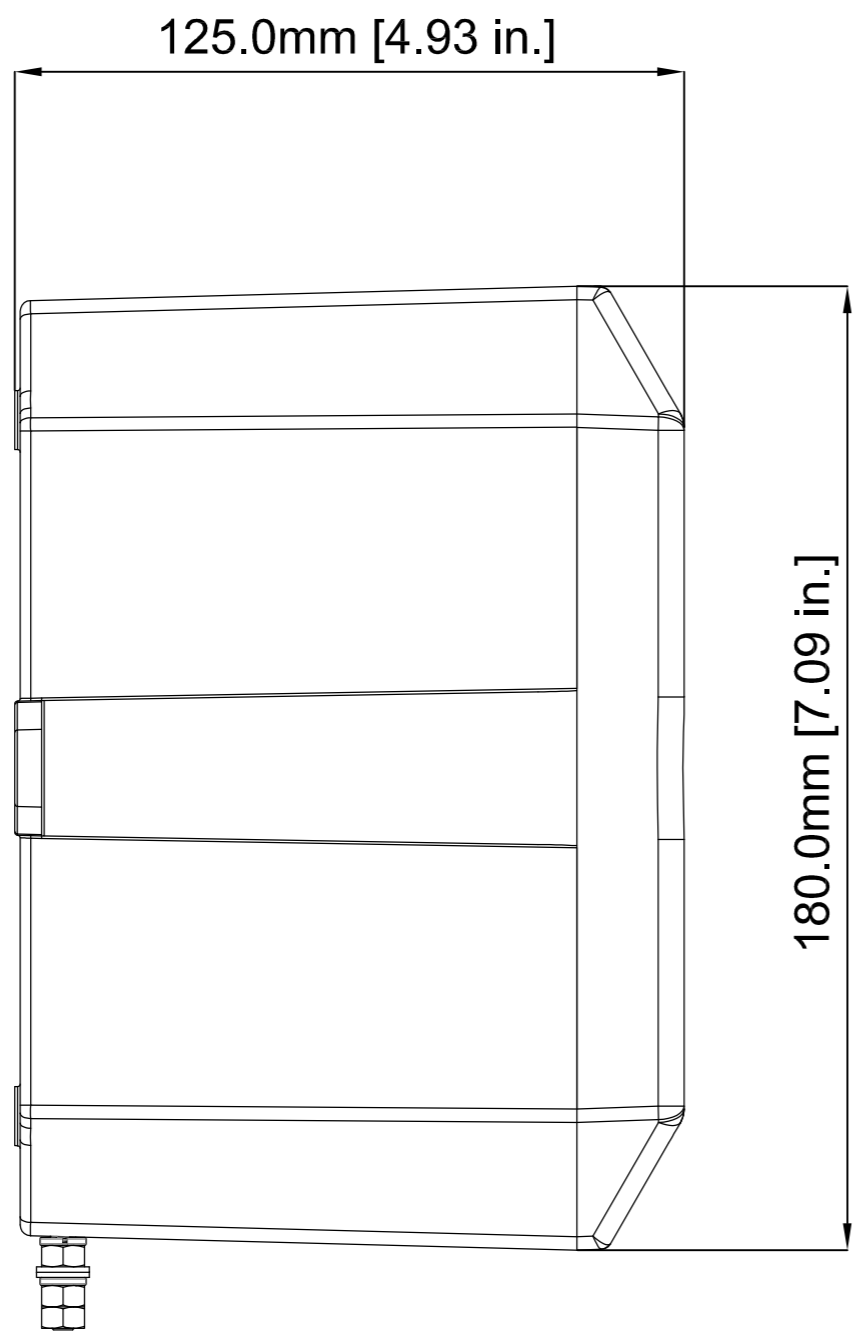


ISSUE	MOD No.	REASON - INITIAL - DATE
A		INTRODUCTION - RSR - 08/04/14



E2S PART NO.	DESCRIPTION	DATA REFERENCE
D2xS1...	D2xS1 Ex n SOUNDER	1.32.025

DRAWING TO BS8888:2000 GEOMETRIC TOLERANCES TO ISO1101:1983 LINEAR DIMENSIONAL TOLS ANGULAR DIMENSIONAL TOLS
STANDARDS METAL SOUNDERS

DRAWN <b>R.S.RAIT</b>	DATE <b>08/04/14</b>
CHECKED <b>B. ISARD</b>	DATE <b>08/04/14</b>
APPROVED <b>R.N.POTTS</b>	DATE <b>08/04/14</b>

SURFACE FINISH FINISH	WEIGHT (Kg)
MATERIAL	
ALTERNATIVE MATERIAL	

THIS DRAWING AND ANY INFORMATION OR DESCRIPTIVE MATTER THEREIN IS COMMUNICATED IN CONFIDENCE AND IS THE COPYRIGHT PROPERTY OF EUROPEAN SAFETY SYSTEMS LTD. NEITHER THE WHOLE OR ANY EXTRACT MAY BE DISCLOSED, LOANED, COPIED OR USED FOR MANUFACTURING OR TENDERING PURPOSES WITHOUT THEIR WRITTEN CONSENT.

© EUROPEAN SAFETY SYSTEMS LTD.  
AS PER LATEST DATE OF ISSUE SHOWN ABOVE

EUROPEAN SAFETY SYSTEMS LTD  
IMPRESS HOUSE  
MANSELL ROAD  
ACTON  
LONDON W3 7QH  
WWW.E2S.COM

ALL DIMENSIONS IN MM IF IN DOUBT, ASK - DO NOT SCALE				<b>A2</b>
TITLE D2xS1 SOUNDER OUTLINE				
SCALE 1:1	SHEET 1 OF 1	DRAWING NUMBER <b>SK0304</b>		