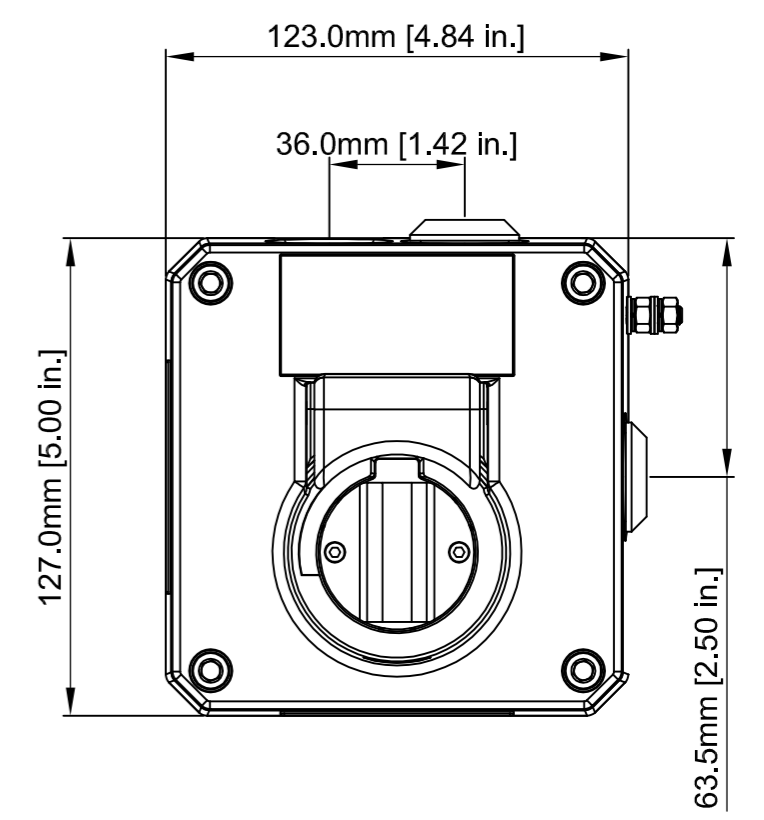
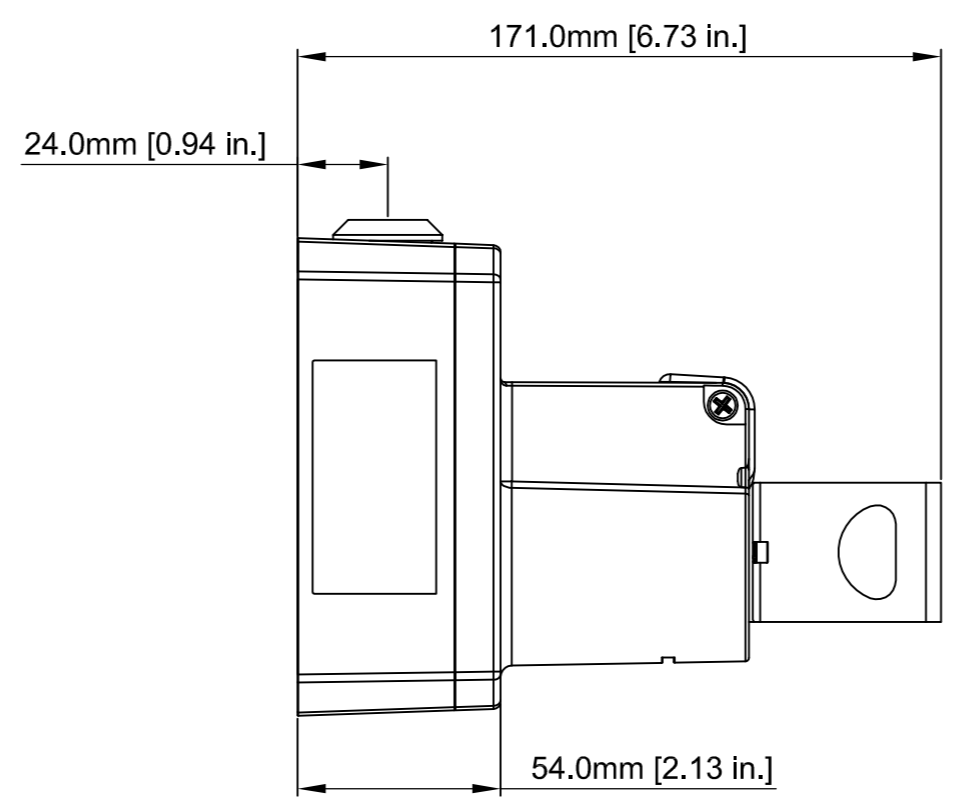
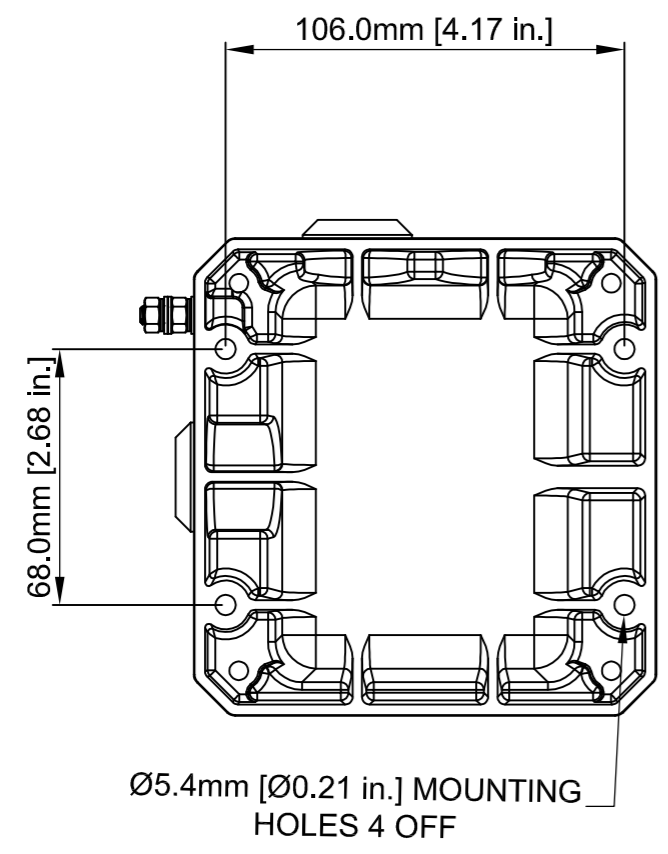
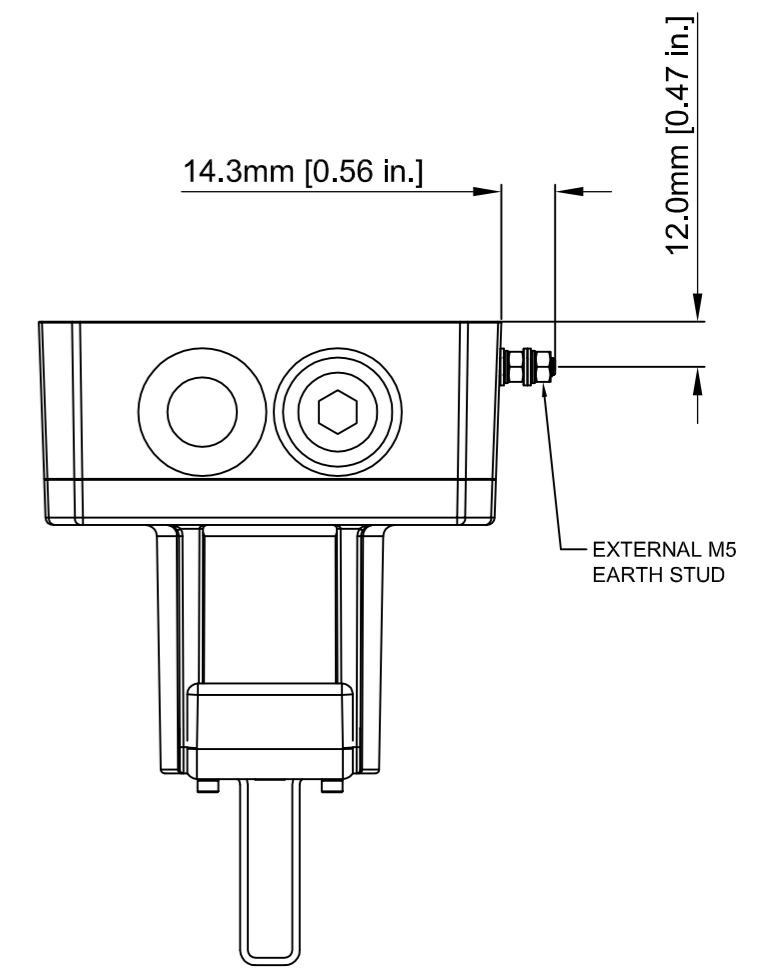
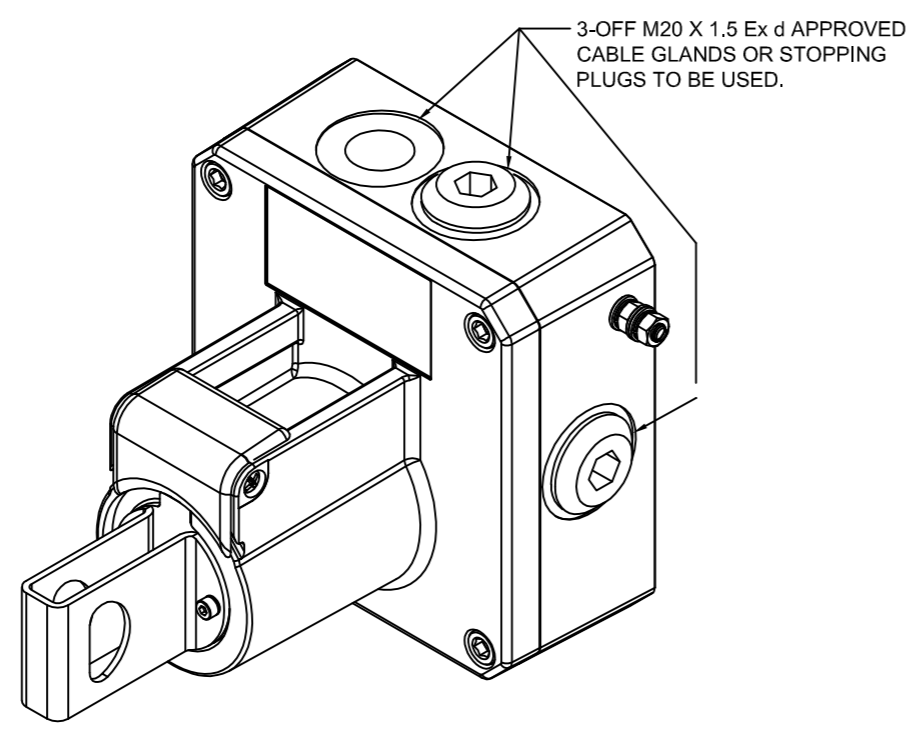


ISSUE	MOD No.	INITIAL/DATE
A		INTRODUCTION OF PART RSR 24-10-16



E2S PART NO.	DESCRIPTION	DATA REFERENCE
STExCP8-PB...	STAINLESS STEEL CP8 PUSH BUTTON CALL POINT	1.24.140

DRAWING TO BS 8888:2000 GEOMETRIC TOLERANCES TO ISO 1101:1983 LINEAR DIMENSION TOLS ANGULAR DIMENSION TOLS	DRAWN R.S. RAIT DATE 24-10-16	SURFACE FINISH	WEIGHT (Kg)	THIS DRAWING AND ANY INFORMATION OR DESCRIPTIVE MATTER THEREIN IS COMMUNICATED IN CONFIDENCE AND IS THE COPYRIGHT PROPERTY OF EUROPEAN SAFETY SYSTEMS LTD. NEITHER THE WHOLE OR ANY EXTRACT MAY BE DISCLOSED, LOANED, COPIED OR USED FOR MANUFACTURING OR TENDERING PURPOSES WITHOUT THEIR WRITTEN CONSENT. © EUROPEAN SAFETY SYSTEMS LTD. AS PER LATEST DATE OF ISSUE SHOWN ABOVE	 EUROPEAN SAFETY SYSTEMS LTD WAREHOUSES WAREHOUSE ACTON LONDON W3 7JH WWW.E2S.COM	ALL DIMENSIONS IN MM IF IN DOUBT, ASK - BID NOT SCALE.	 A1	
	CHECKED B. ISARD DATE 24-10-16	MATERIAL						
STANDARDS	APPROVED R.N. POTTS DATE 24-10-16	ALTERNATIVE MATERIAL				TITLE STExCP8-PB PUSH BUTTON OUTLINE DRAWING		
						SCALE 1:1	SHEET 1 OF 1	DRAWING NUMBER SK0449